

# Chicago Valves & Controls



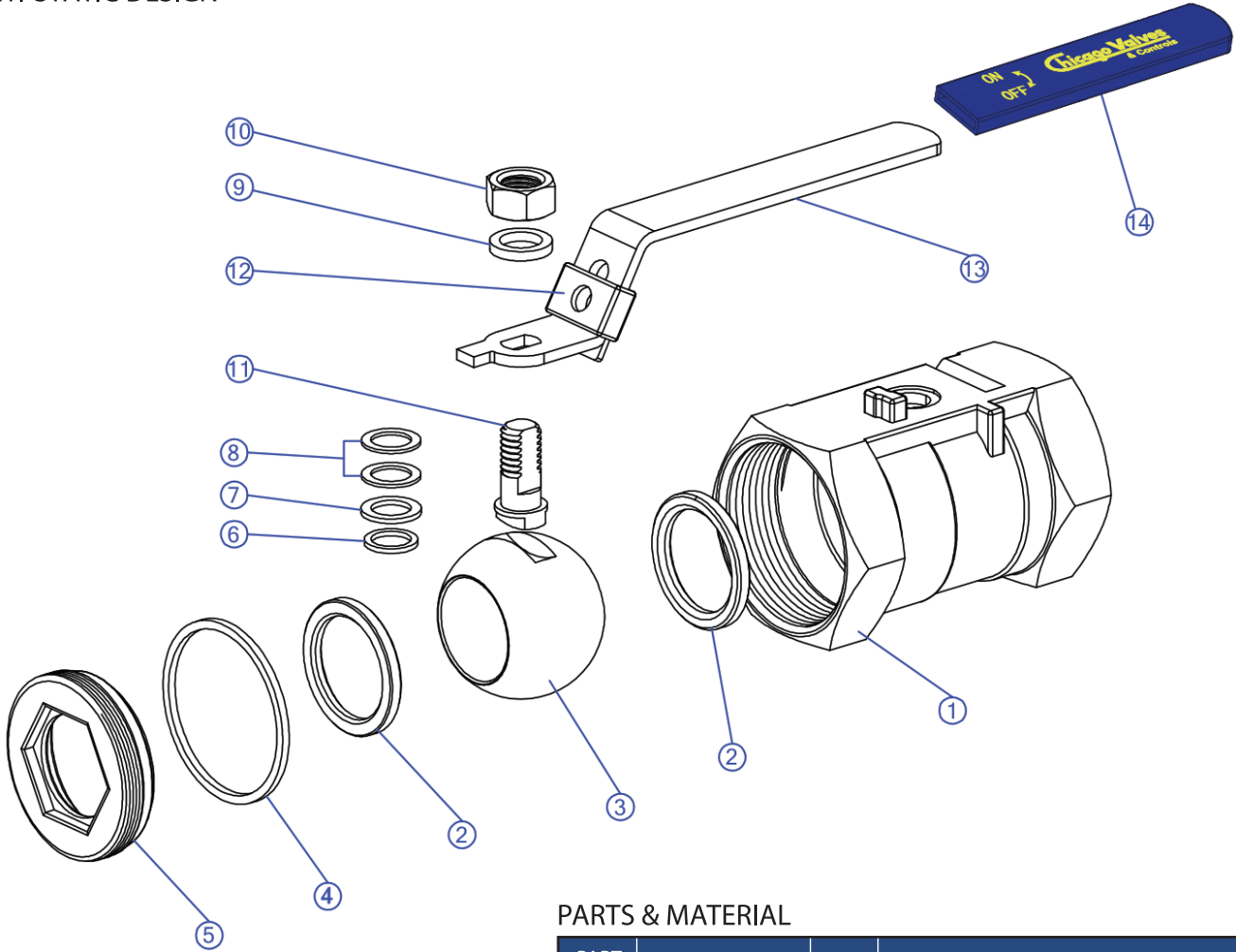
**SERIES 12**

**UNIBODY DESIGN THREADED**

**BALL VALVE**

1000 CWP (1/4"-11/4")  
 800 CWP (1 1/2"-2")  
 316 STAINLESS STEEL - ASTM A351 CF8M  
 BLOWOUT PROOF STEM  
 LEVER AND OVAL HANDLES  
 STEAM RATING: 150 PSI WSP  
 VACUUM SERVICE TO 29" Hg  
 ANTI-STATIC DESIGN

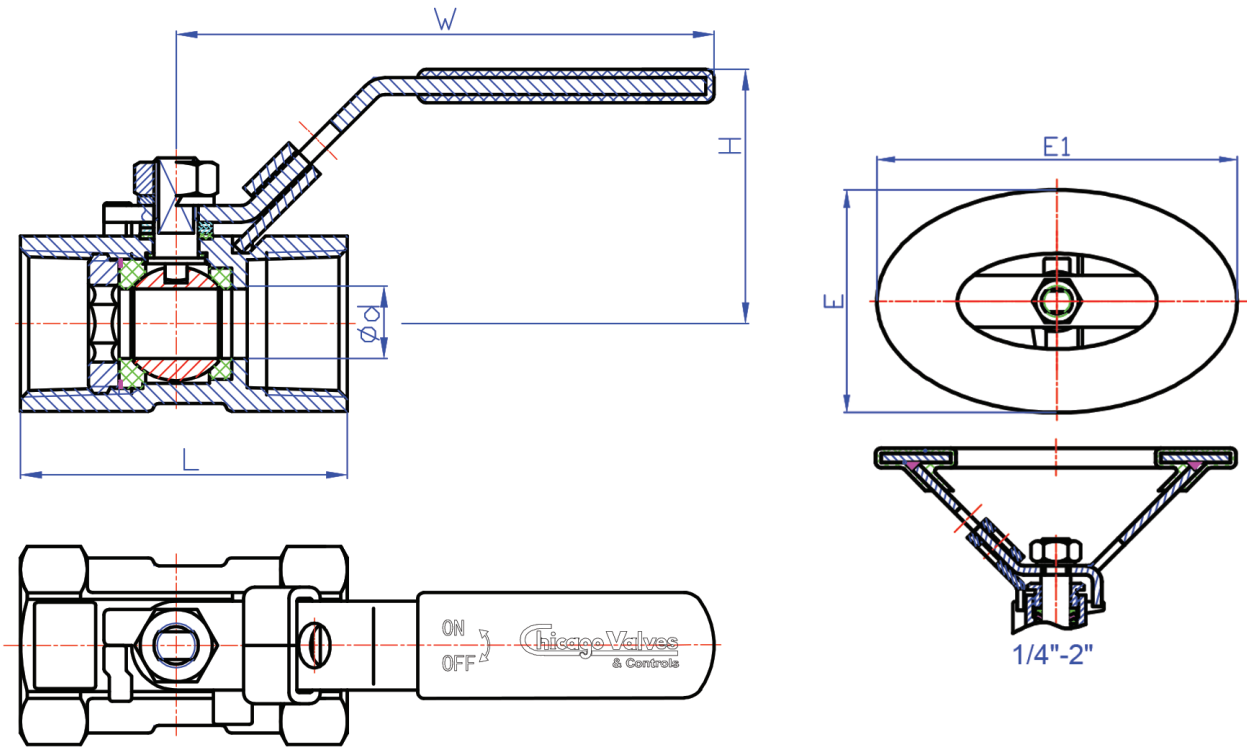
Series 12



PARTS & MATERIAL

PART NO.	PART NAME	QTY.	MATERIAL
1	Body	1	316 Stainless Steel ASTM A351 CF8M
2	Seat	2	RTFE
3	Ball	1	316 Stainless Steel
4	Body Seal	1	PTFE
5	Cap	1	316 Stainless Steel
6	Thrust Washer	1	Carbon Fill PTFE
7	Packing	1	PTFE
8	Stem Washer	2	304 Stainless Steel
9	Spring Washer	1	304 Stainless Steel
10	Stem Nut	1	304 Stainless Steel
11	Stem	1	Carbon Fill PTFE
12	Locking Device	1	304 Stainless Steel
13	Handle	1	304 Stainless Steel
14	Plastic Cover	1	304 Stainless Steel

Series 12



DIMENSIONS (INCHES)

SIZE	d	L	H	W
1/4"	0.20	1.56	1.33	2.80
3/8"	0.28	1.75	1.41	3.19
1/2"	0.36	2.22	1.67	4.39
3/4"	0.49	2.32	1.80	4.39
1"	0.61	2.80	1.92	4.49
1 1/4"	0.79	3.07	2.10	4.49
1 1/2"	0.98	3.27	2.35	6.21
2"	1.26	3.95	2.66	6.21

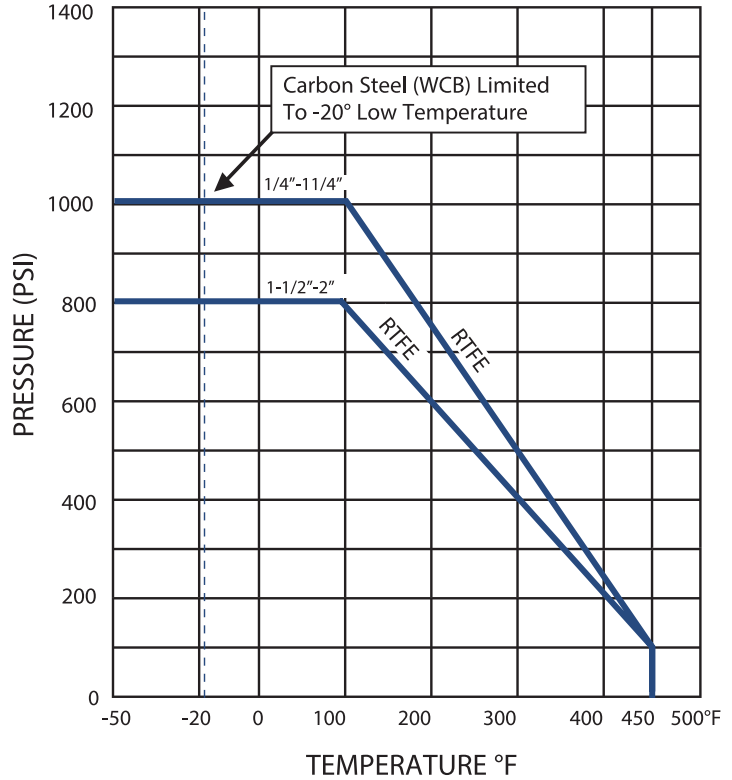
## PRESSURE - TEMPERATURE RATING 1/4"-2" SERIES 12

### APPLICABLE STANDARDS

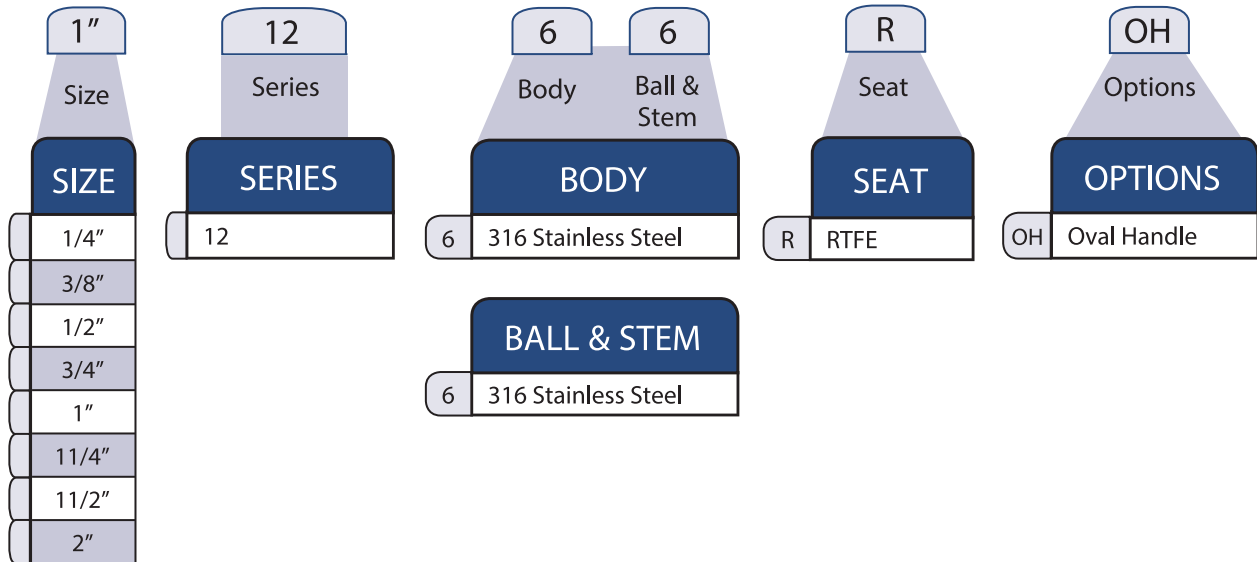
All Valves tested in accordance with MSS-SP72

THREADED ENDS	ASME B1.20.1
---------------	--------------

SIZE	CV (GPM)	WEIGHT (LBS)
1/4"	4	0.13
3/8"	4	0.22
1/2"	4.5	0.37
3/4"	9	0.62
1"	16	0.97
1 1/4"	24	1.41
1 1/2"	37	1.94
2"	68	2.87



## HOW TO ORDER



# Chicago Valves & Controls



Toll-Free (833) 831-2312

Local (312) 637-3557

Fax: (312) 637-3543

E-Mail: [sales@chicagovalves.com](mailto:sales@chicagovalves.com)

[www.chicagovalves.com](http://www.chicagovalves.com)

885 Cambridge Dr.

Elk Grove Village, Illinois 60007 U.S.A.