

Chicago Valves & Controls



SERIES N26

FULL PORT THREADED

2PC BALL VALVE / SEAL WELD

316 STAINLESS STEEL - ASTM A351 CF8M

CARBON STEEL - ASTM A216 WCB

2000 CWP (1/4" -2")

1500 CWP (2-1/2" -3")

1000 CWP (4")

150 WSP

VACCUUM SERVICE TO 29" Hg

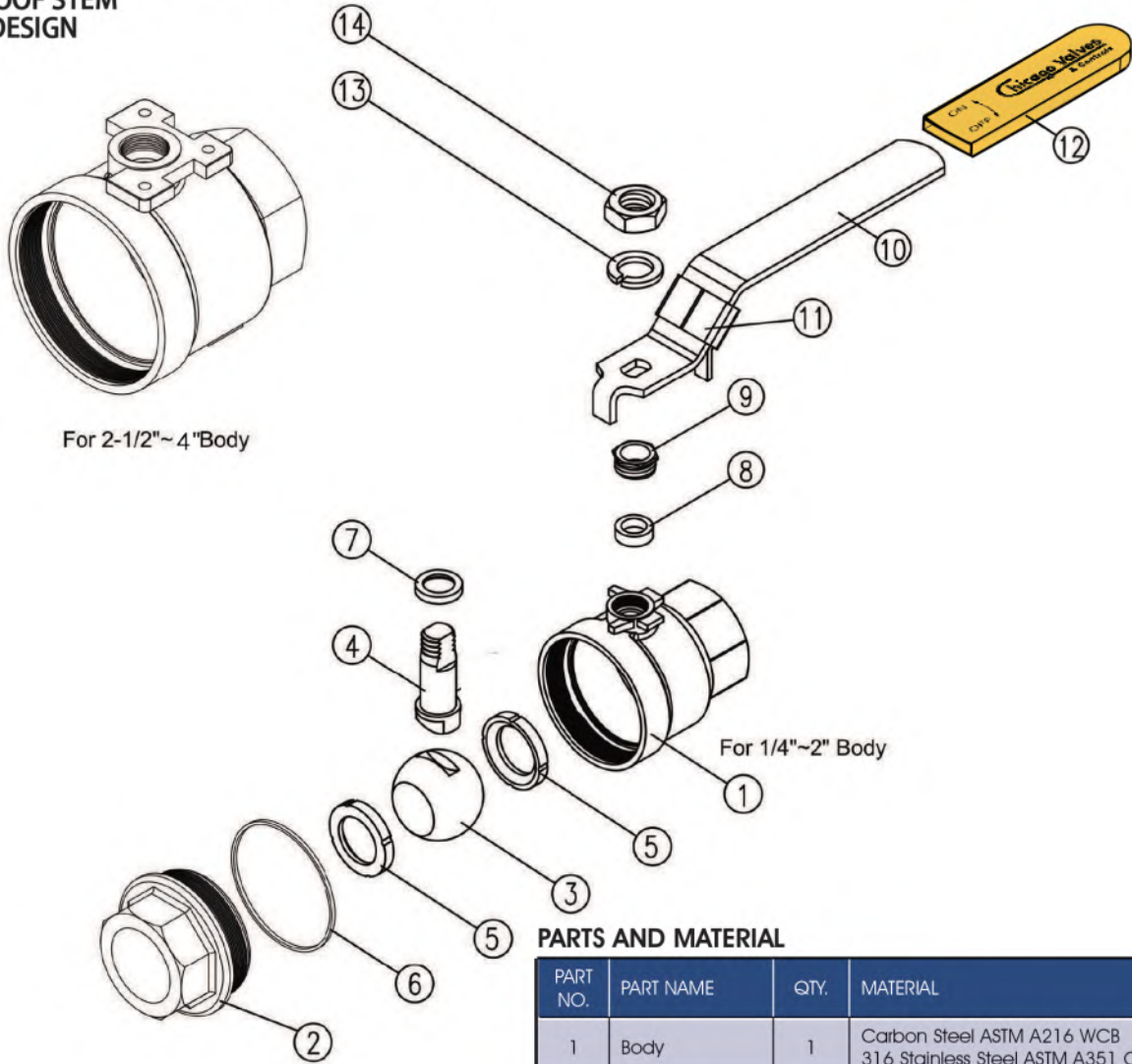
NACE MR0175

LOCKING DEVICE HANDLES (LEVERS & OVAL HANDLES)

BLOWOUT PROOF STEM

ANTI-STATIC DESIGN

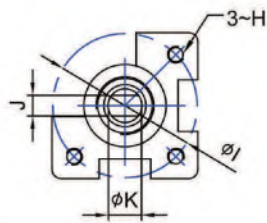
Series N26



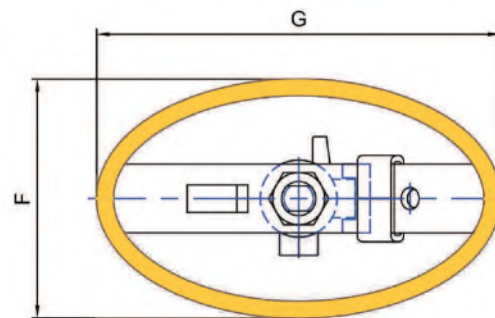
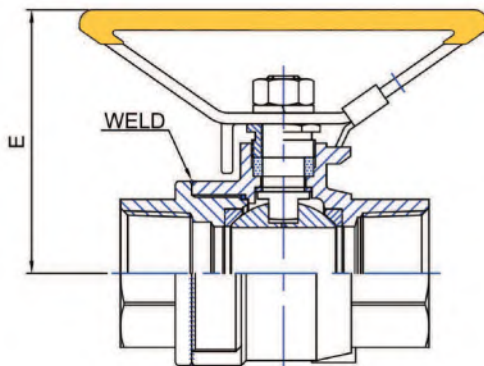
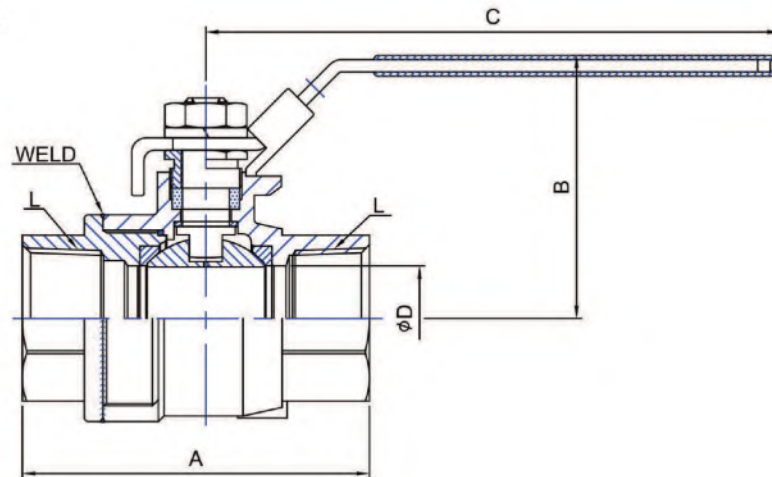
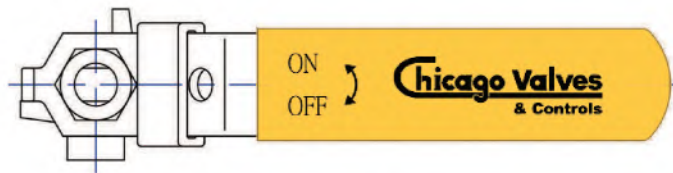
PARTS AND MATERIAL

PART NO.	PART NAME	QTY.	MATERIAL
1	Body	1	Carbon Steel ASTM A216 WCB 316 Stainless Steel ASTM A351 CF8M
2	End Piece	1	Carbon Steel ASTM A216 WCB 316 Stainless Steel ASTM A351 CF8M
3	Ball	1	316 Stainless Steel
4	Stem	1	316 Stainless Steel
5	Seat	2	RTFE
6	Body Seal	1	PTFE
7	Thrust Washer	1	Carbon Fill PTFE
8	Stem Packing	1 Set	PTFE
9	Packing Nut	1	304 Stainless Steel
10	Handle	1	304 Stainless Steel
11	Locking Pad	1	304 Stainless Steel
12	Handle Sleeve	1	PVC
13	Spring Washer	1	304 Stainless Steel
14	Nut	1	304 Stainless Steel

Series N26



21/2", 3", 4" Mounting Dimensions



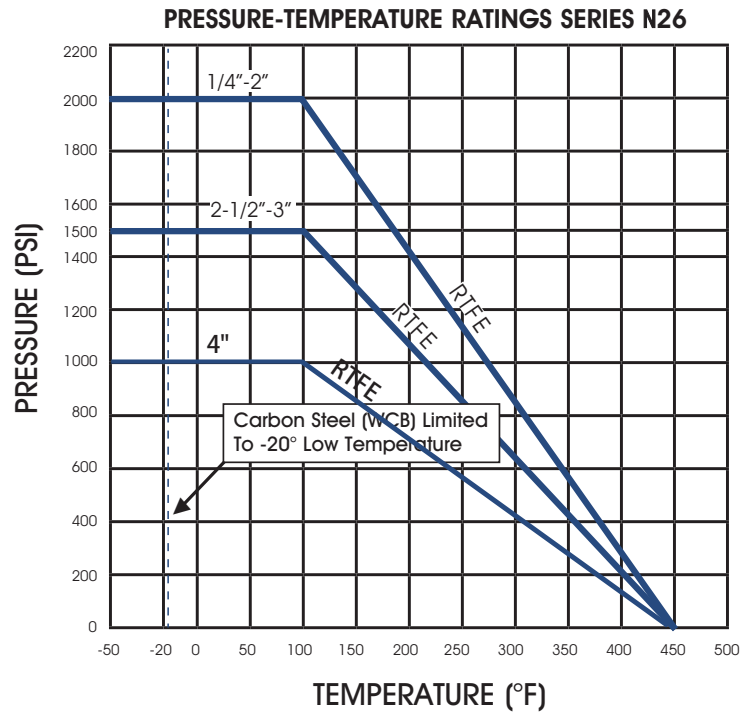
DIMENSIONS (INCHES)

SIZE	A	B	C	D	E	F	G	H	I	J	K	L	ISO5211
1/4"	2.00	1.90	4.00	0.50	2.60	2.60	3.90	-	-	0.20	0.30	NPT	-
3/8"	2.00	1.90	4.00	0.50	2.60	2.60	3.90	-	-	0.20	0.30	NPT	-
1/2"	2.40	1.90	4.00	0.60	2.60	2.60	3.90	-	-	0.20	0.30	NPT	-
3/4"	2.80	2.10	4.00	0.80	2.70	2.60	3.90	-	-	0.20	0.30	NPT	-
1"	3.30	2.70	4.90	1.00	3.30	3.10	4.90	-	-	0.30	0.40	NPT	-
1-1/4"	3.80	2.80	4.90	1.30	3.50	3.10	4.90	-	-	0.30	0.40	NPT	-
1-1/2"	4.30	3.40	5.80	1.50	4.30	3.70	5.70	-	-	0.30	0.60	NPT	-
2"	5.30	3.80	5.80	2.00	4.60	3.70	5.70	-	-	0.30	0.60	NPT	-
2-1/2"	6.60	4.70	9.10	2.50	-	-	-	M8X1.25	2.80	0.40	0.80	NPT	F07
3"	7.60	5.10	9.10	3.00	-	-	-	M8X1.25	2.80	0.40	0.80	NPT	F07
4"	8.60	6.90	12.60	3.80	-	-	-	M10X1.5	4.00	0.60	1.00	NPT	F10

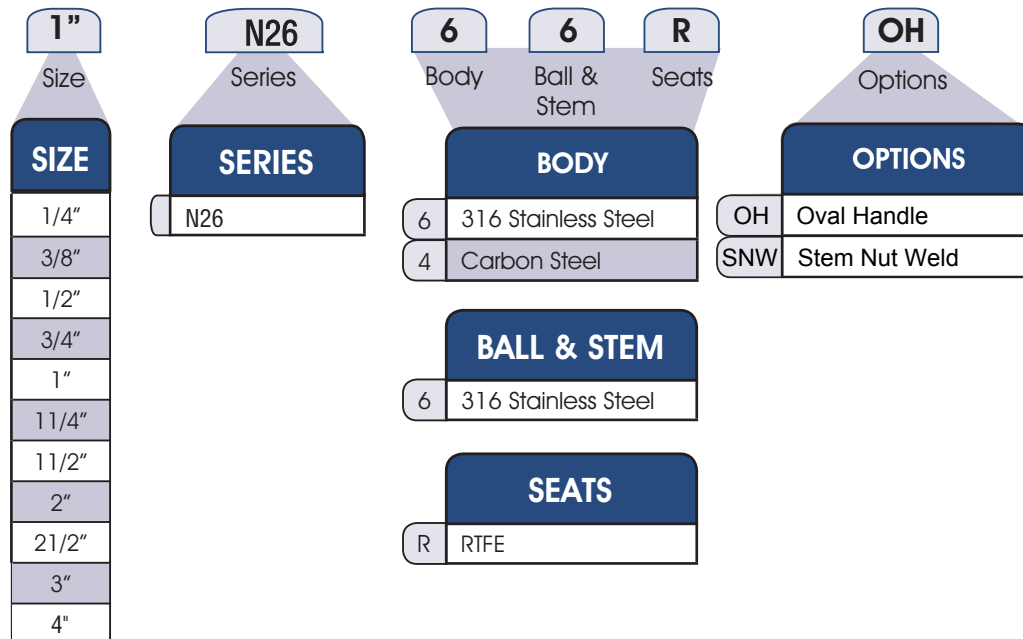
APPLICABLE STANDARDS

SHELL TEST	ASME B16.34
SEAT TEST	ASME B16.34
THREADED ENDS	ASTM B16.11

SIZE	CV (GPM)	WEIGHT (LBS)
1/4"	10	0.47
3/8"	10	0.47
1/2"	16	0.71
3/4"	32	1.01
1"	62	1.60
1-1/4"	115	2.07
1-1/2"	140	3.66
2"	365	6.40
2-1/2"	450	12.46
3"	1100	18.46
4"	1700	43.87



HOW TO ORDER



Chicago Valves
& Controls



Toll-Free (833) 831-2312

Local (312) 637-3557

Fax: (312) 637-3543

E-Mail: sales@chicagovalves.com

www.chicagovalves.com

885 Cambridge Dr.

Elk Grove Village, Illinois 60007 U.S.A.