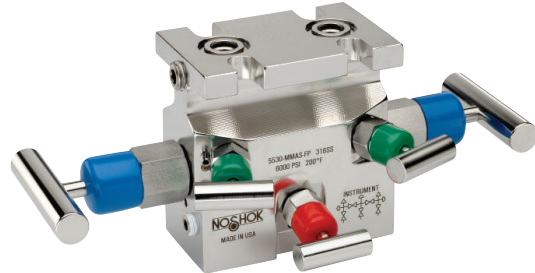
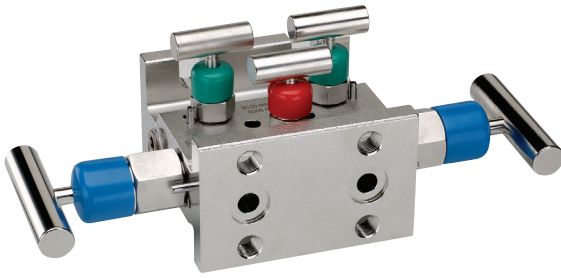


# Soft Seat/Tip (0.375" Orifice)

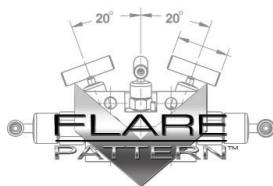
## 5530 SERIES



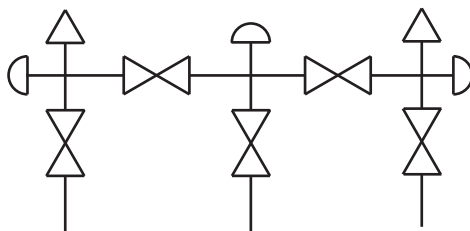
90° Angle option



Flare Pattern™ option



### Flow Schematic



- Designed for use with differential pressure transmitters incorporating two isolation valves, two equalizing valves and a vent valve in natural gas applications
- Flare Pattern™ valve configuration provides maximum clearance for fingers during operation
- Soft tip valves feature a patented Delrin® non-rotating soft tip stem, and a back-up metal-to-metal seal (**U.S. Patent 6,820,857**)
- Non-rotating stem tip standard on large bore isolation valves
- Available in block, single flange, or double flange connection for remote or direct installation
- 100% helium leak tested to  $1 \times 10^{-4}$  ml/s for performance and reliability
- Features a replaceable Delrin® seat, and straight through porting for bidirectional, high capacity flow and easy roddable cleaning on the block valves
- Blow-out proof stem provides a secondary stem seal in the full open position
- FKM o-ring seal and PTFE back-up ring below the stem threads to protect from corrosion and galling
- All stem threads are rolled for strength and ease of operation
- One-piece bonnet with a metal-to-metal seal to the valve body below the bonnet threads
- Slotted spring pin to prevent accidental loosening
- Color coded vinyl dust caps for bonnets and stems

### SPECIFICATIONS

<b>Materials</b>	Zinc-Nickel plated carbon Steel, electropolished 316 Stainless Steel*
<b>Connections</b>	Flange-flange 1/2" NPT-flange 1/2" NPT-1/2" NPT Flange-flange 90° angle
<b>Pressure ratings</b>	6,000 psi @ 200 °F
<b>Orifice size</b>	0.375"
<b>Flow coefficient</b>	$C_v$ 3.0
<b>Stem seal &amp; type</b>	All 316 Stainless Steel stems with FKM o-ring and PTFE back-up ring below the threads
<b>Additional features</b>	Two static (test) ports, color coded vinyl bonnet and stem dust cap, patented soft tip stem design on equalizing and vent valves
<b>Weight</b>	Approximately 5.8 lb. without flange Approximately 7.5 lb. with flange 90° Angle version approximately 9.4 lb.

\* All 316SS products meet the requirements of NACE MR0175/ISO 15156-3.

For NOSHOK Valves with Steel valve types:



**WARNING:** This product can expose you to chemicals including Lead, which is known to the State of California to cause cancer and birth defects or other reproductive harm. For more information go to [www.P65Warnings.ca.gov](http://www.P65Warnings.ca.gov)

For NOSHOK Valves with Stainless Steel valve types:



**WARNING:** This product can expose you to chemicals including Chromium (VI) and Nickel, which are known to the State of California to cause cancer and birth defects or other reproductive harm. For more information go to [www.P65Warnings.ca.gov](http://www.P65Warnings.ca.gov)

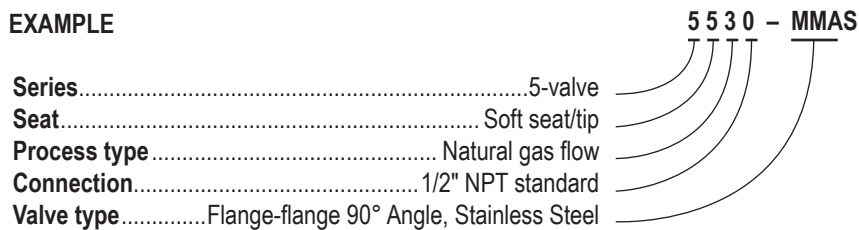
**NOTE:** All NOSHOK valve products conform to the MSS SP-99 instrument valves standards, and valves supplied with packing also conform to MSS SP-132 compression packing systems for instrument valves standard.

<b>SERIES</b>	5 5-valve		
<b>SEAT</b>	5 Soft seat/tip 0.375" orifice		
<b>PROCESS TYPE</b>	3 Natural gas flow		
<b>CONNECTION</b>	0 1/2" NPT standard or flange		
<b>VALVE TYPES</b>	<b>MFC</b> Flange-Female, Steel	<b>FFS</b> Female-Female, Stainless Steel	<b>MMS</b> Flange-Flange, Stainless Steel
	<b>FFC</b> Female-Female, Steel	<b>MMC</b> Flange-Flange, Steel	<b>MMAS*</b> Flange-Flange 90° Angle, Stainless Steel
	<b>MFS</b> Flange-Female, Stainless Steel	<b>MMAC*</b> Flange-Flange 90° Angle, Steel	

Please consult your local NOSHOK Distributor or NOSHOK, Inc. for availability and delivery information.

\* Only available in Flare Pattern™ configuration.

**EXAMPLE**



To meet all of your specific application requirements, the following **additional options** are available for these manifold valves. To order all or any of these options, simply add them to the part number as follows:

<b>BODY CONFIGURATION</b>	<b>FP</b> Flare Pattern™		
<b>SOFT SEATS</b>	<b>PK1</b> PEEK	<b>KF1</b> PCTFE	
<b>O-RINGS*</b>	<b>EM1</b> EPDM	<b>KZ1</b> FFKM (Kalrez® 3018 or equivalent)	<b>NB1</b> NBR
<b>HANDLES</b>	<b>HL3</b> 1" Round knurled	<b>HL4</b> 1-3/8" Phenolic	

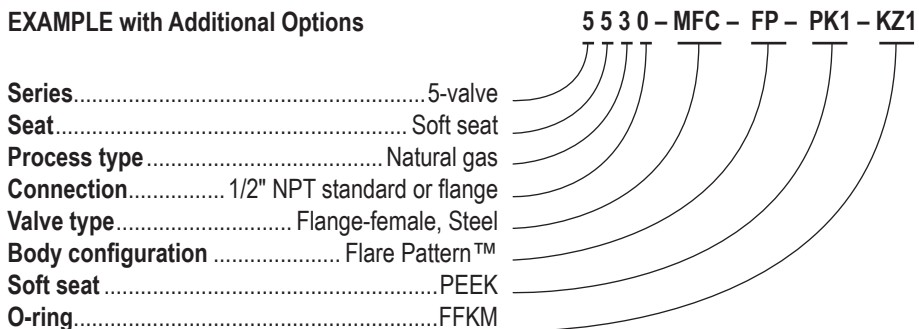
Please consult your local NOSHOK Distributor or NOSHOK, Inc. for availability and delivery information.

\* Other o-ring materials available on request.

Please note that the standard o-ring in all the NOSHOK valves is FKM and the standard handles are isolation "T" handles (HL8) and equalizing/vent 1-3/8" mini "T" handles (HL7).

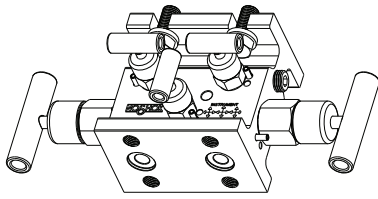
The handle material will always match the material of the valve, unless otherwise specified. For example, the "T" handle on the 5530-MFC will be Steel. When only the standard configuration is needed, no additional designations are necessary. Please consult the factory for special application requests.

**EXAMPLE with Additional Options**

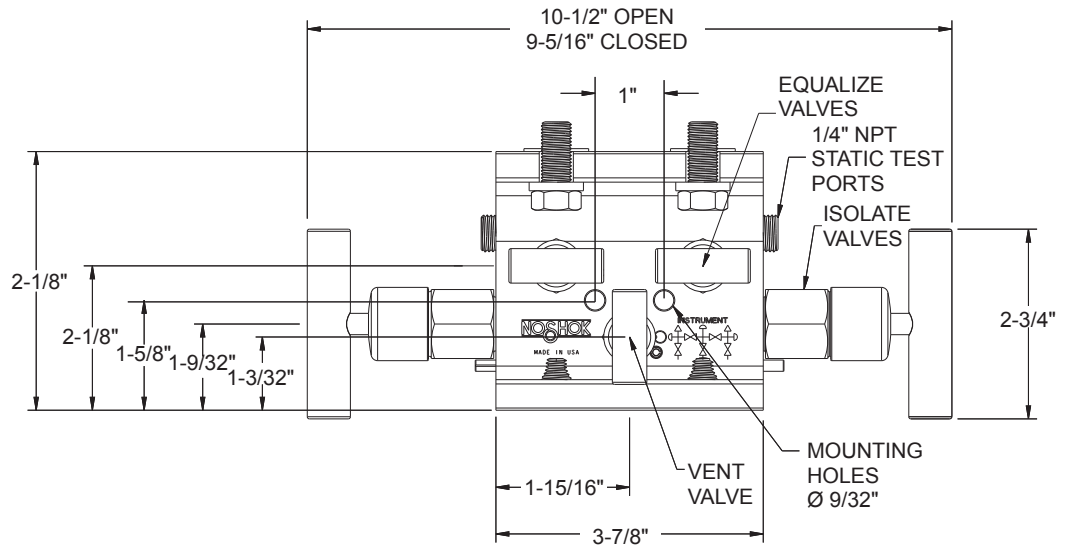


# Dimensions

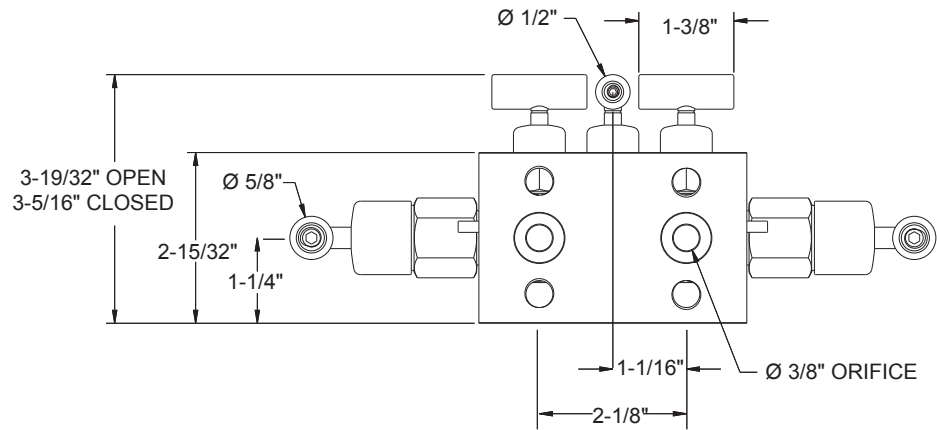
## Flange-Flange



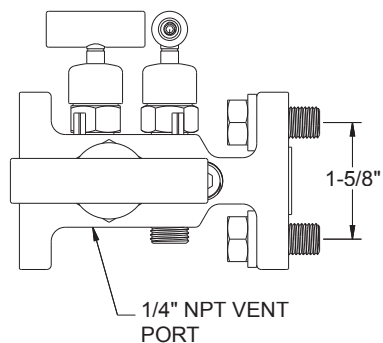
Top View



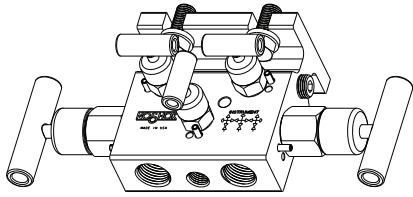
Front View



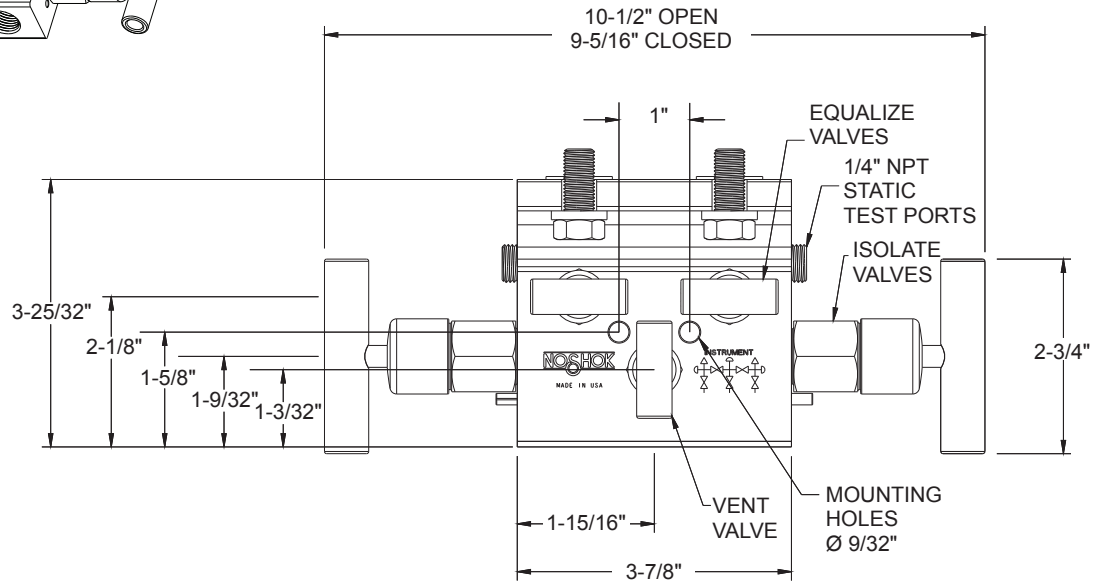
Side View



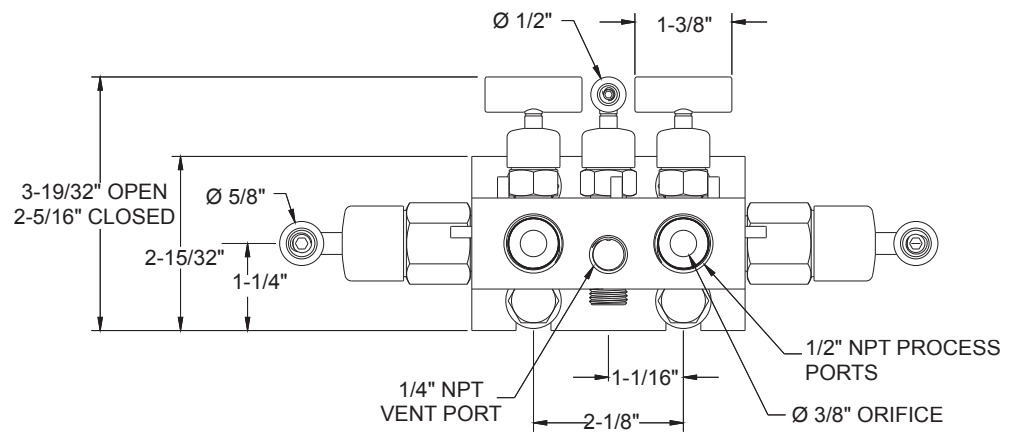
**Flange-Female**



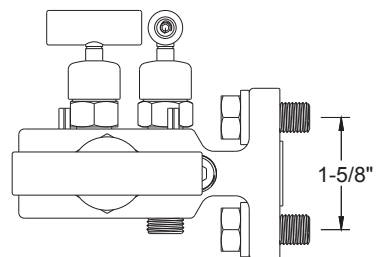
**Top View**



**Front View**

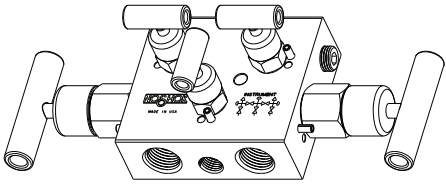


**Side View**

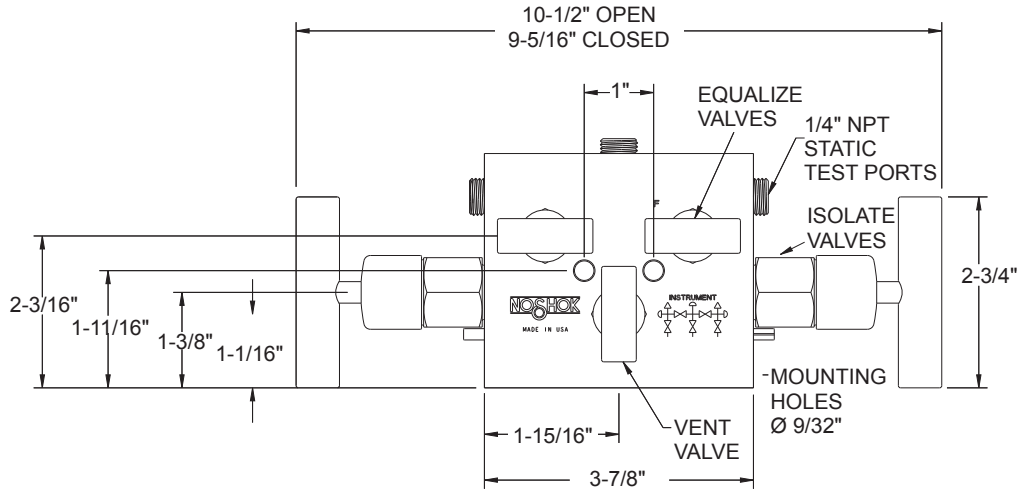


# Dimensions

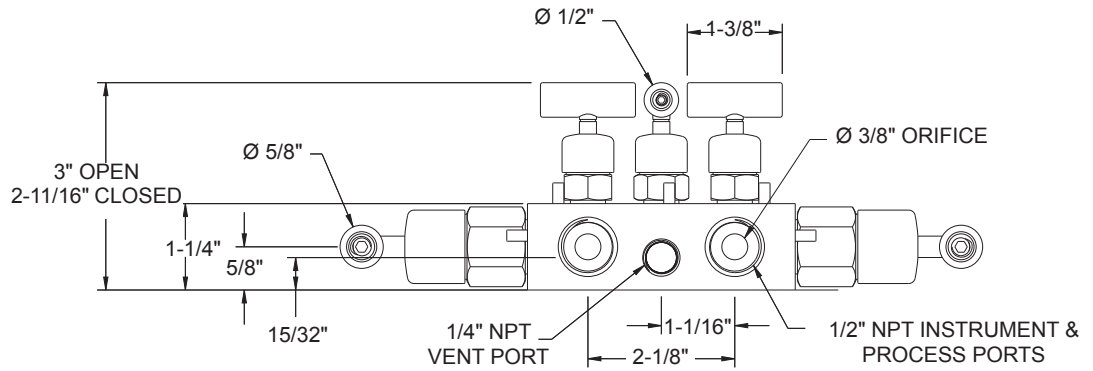
## Female-Female



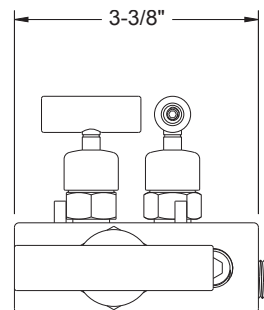
Top View



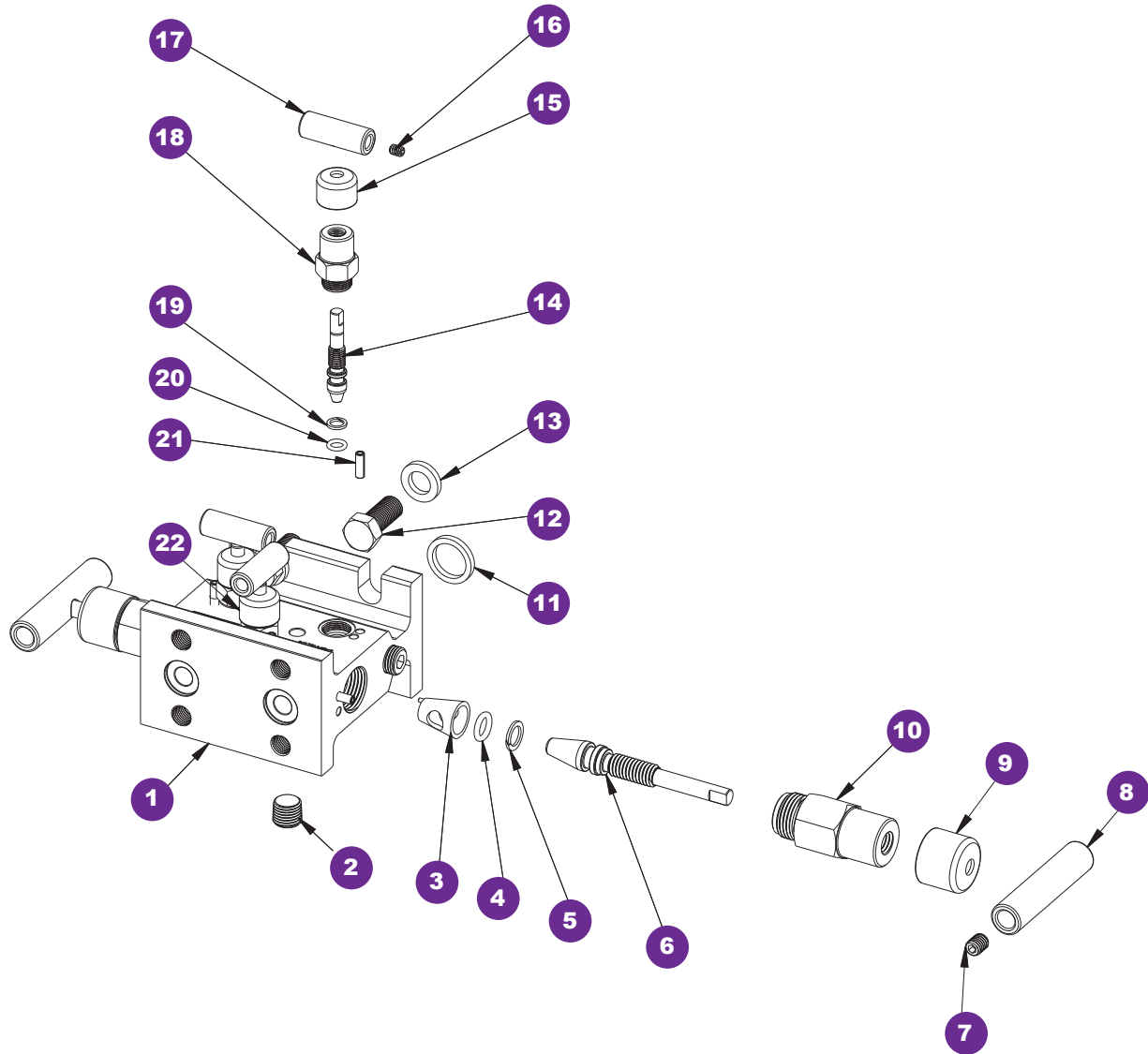
Front View



Side View



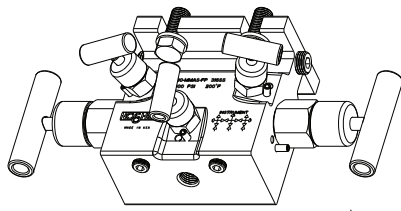
For panel mount or packing dimensions, see pg. 66.



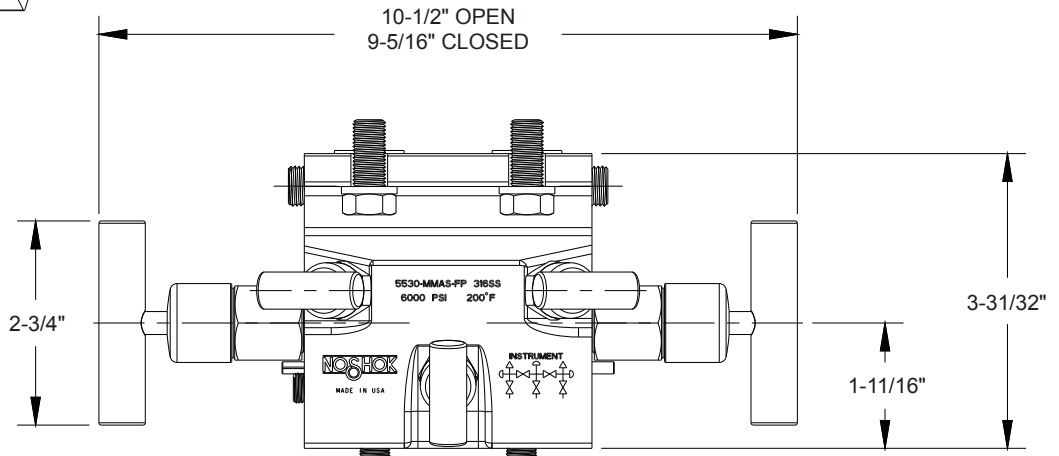
- |                     |                          |
|---------------------|--------------------------|
| 1 Valve body        | 12 Head bolt             |
| 2 Plug              | 13 Washer                |
| 3 Delrin® seat      | 14 Soft tip stem         |
| 4 FKM o-ring        | 15 Green dust cap        |
| 5 PTFE back-up ring | 16 Set screw             |
| 6 Non-rotating stem | 17 Mini valve "T" handle |
| 7 Set screw         | 18 Mini valve bonnet     |
| 8 Valve "T" handle  | 19 PTFE back-up ring     |
| 9 Blue dust cap     | 20 FKM o-ring            |
| 10 Valve bonnet     | 21 Slotted spring pin    |
| 11 Gasket ring      | 22 Red dust cap          |

# Dimensions

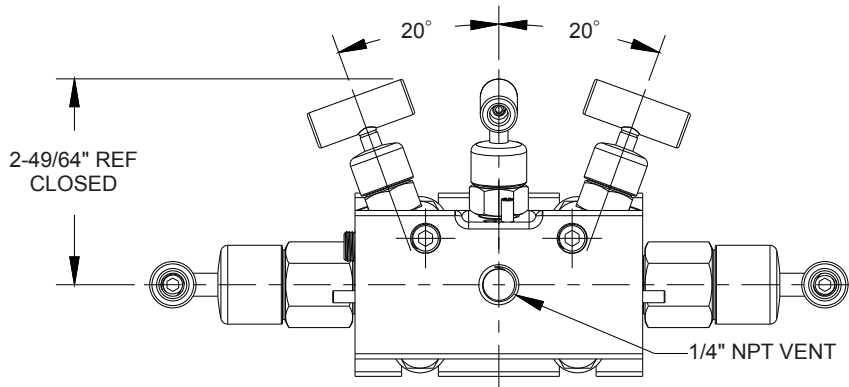
## Flange-Flange 90° Angle



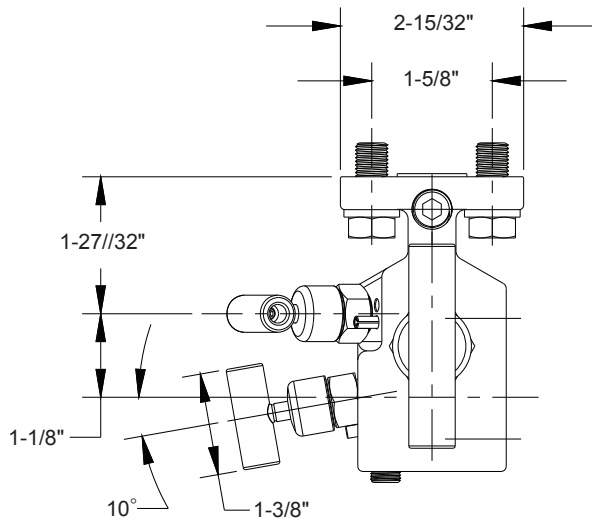
Top View

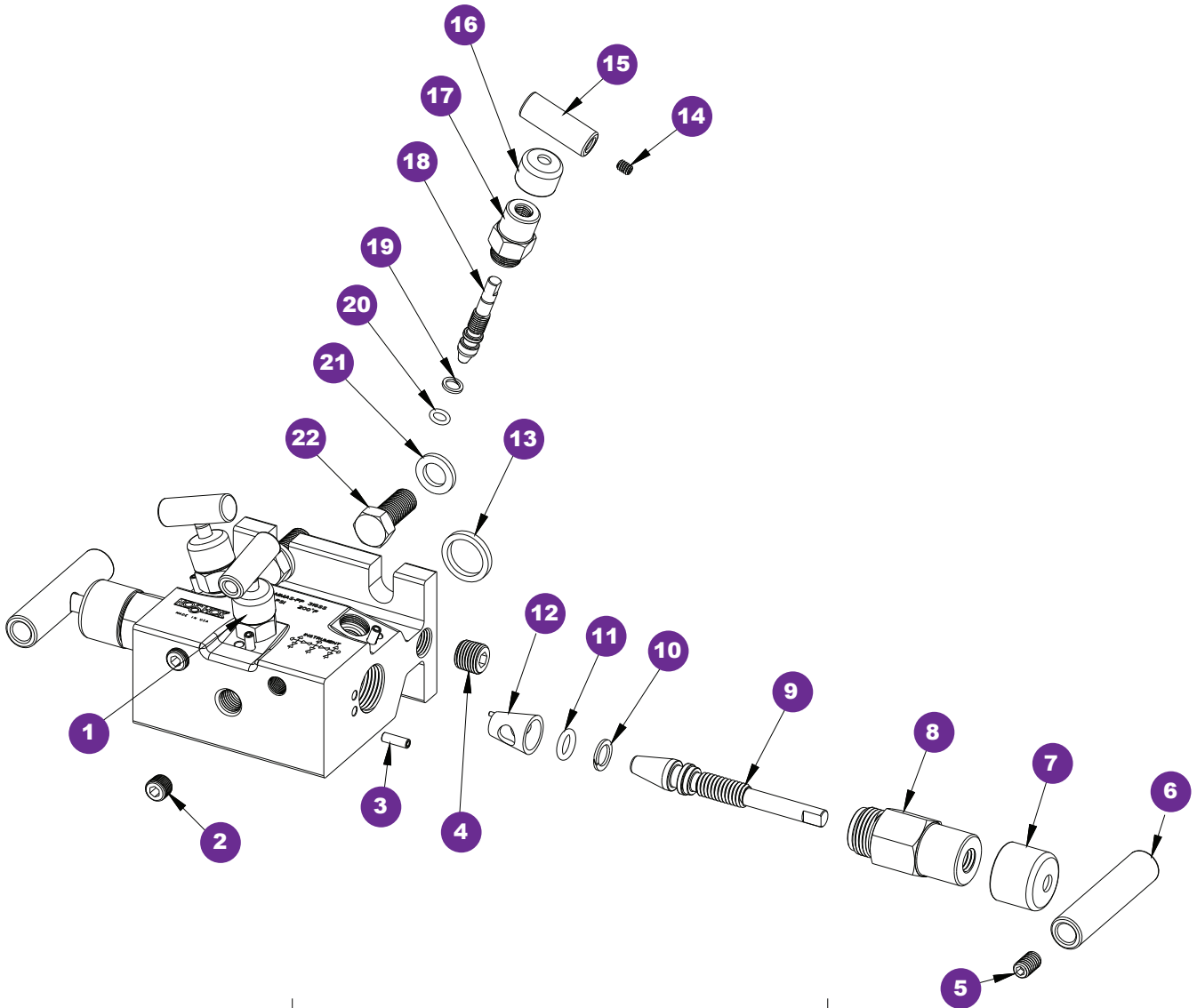


Front View



Side View



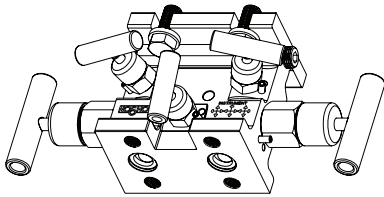


- |                      |                          |
|----------------------|--------------------------|
| 1 Red dust cap       | 13 Gasket ring           |
| 2 Plug               | 14 Set screw             |
| 3 Slotted spring pin | 15 Mini valve "T" handle |
| 4 Plug               | 16 Green dust cap        |
| 5 Set screw          | 17 Mini valve bonnet     |
| 6 Valve "T" handle   | 18 Soft tip stem         |
| 7 Blue dust cap      | 19 PTFE back-up ring     |
| 8 Valve bonnet       | 20 FKM o-ring            |
| 9 Non-rotating stem  | 21 Washer                |
| 10 PTFE back-up ring | 22 Head bolt             |
| 11 FKM o-ring        |                          |
| 12 Delrin® seat      |                          |

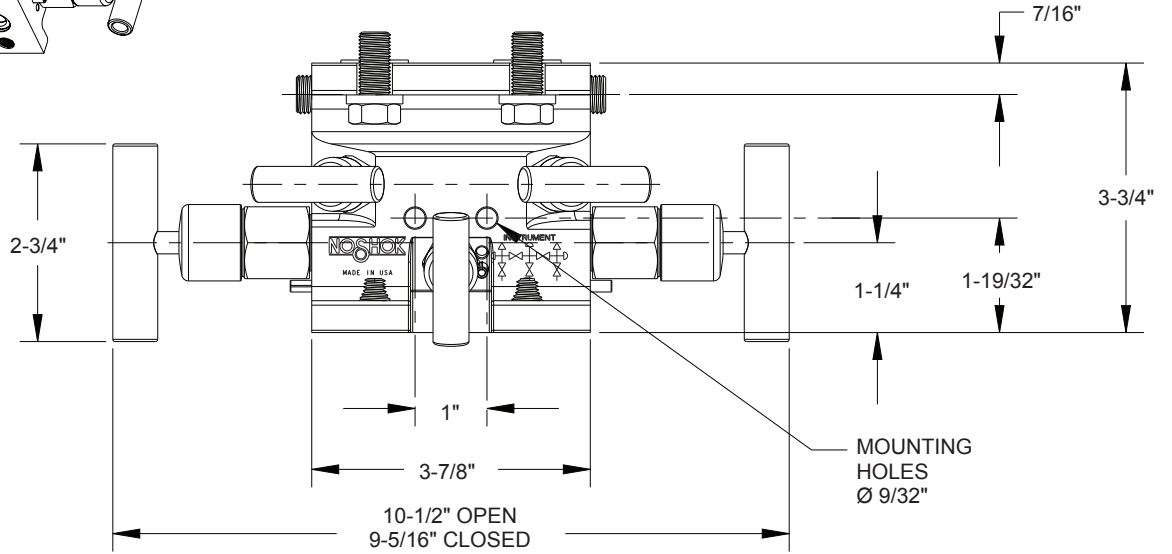


# Dimensions

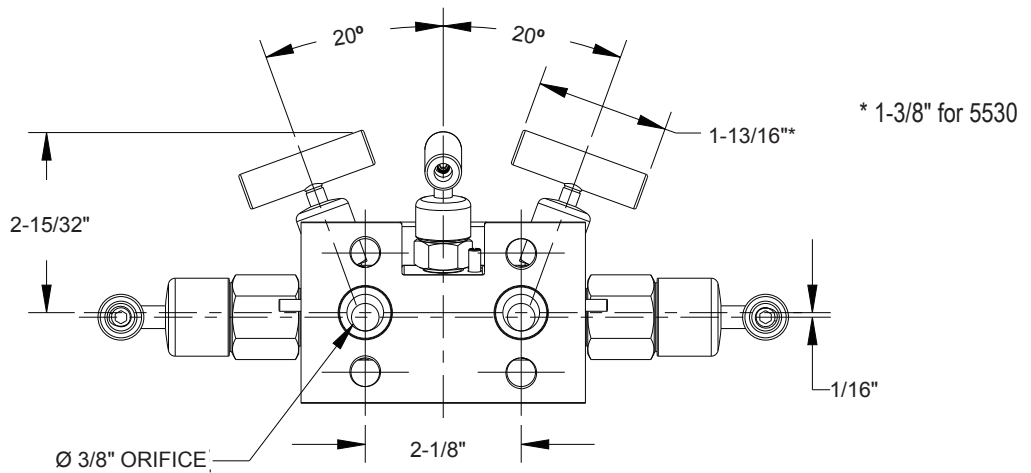
## Flare Pattern™ Flange-Flange



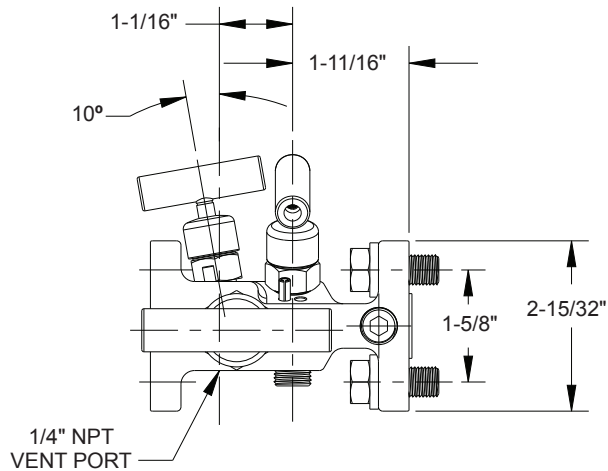
Top View



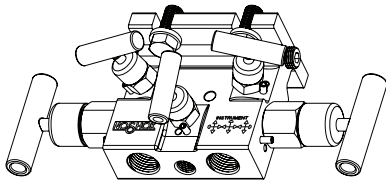
Front View



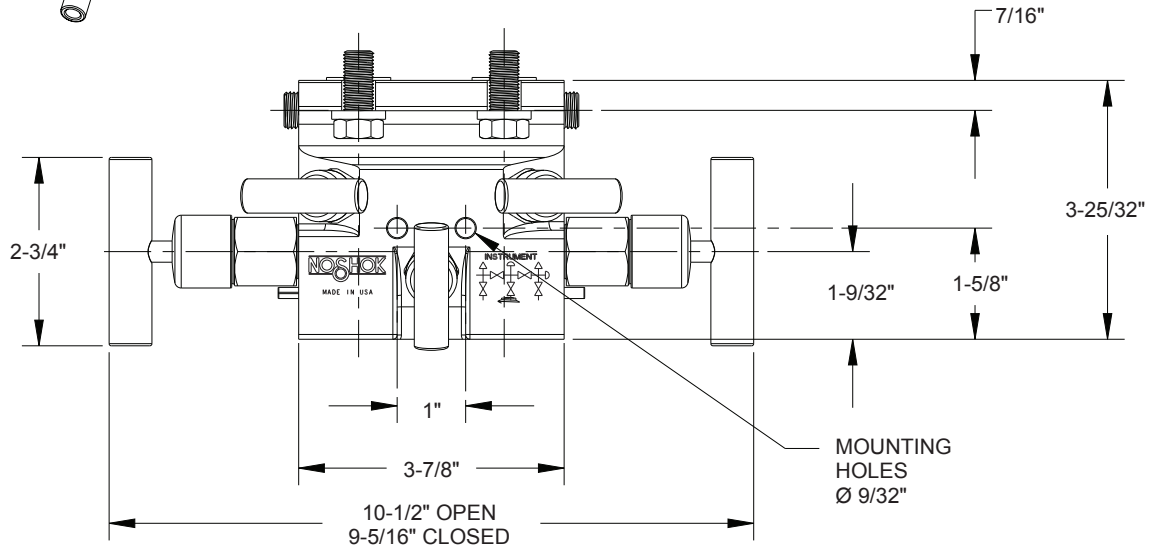
Side View



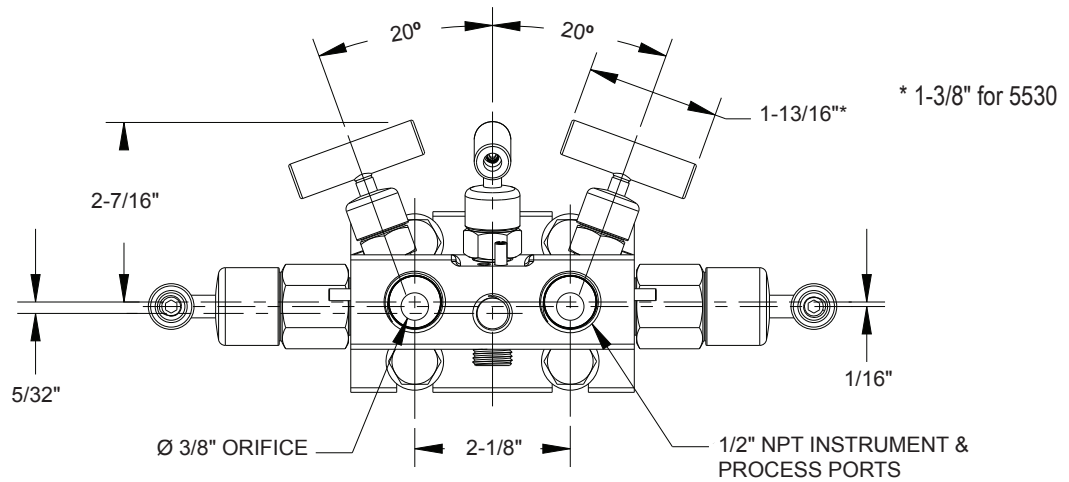
**Flare Pattern™ Flange-Female**



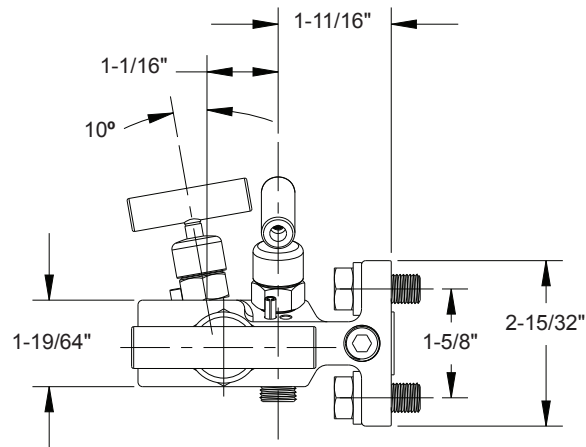
Top View



Front View

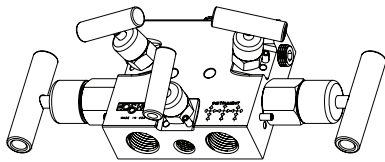


Side View

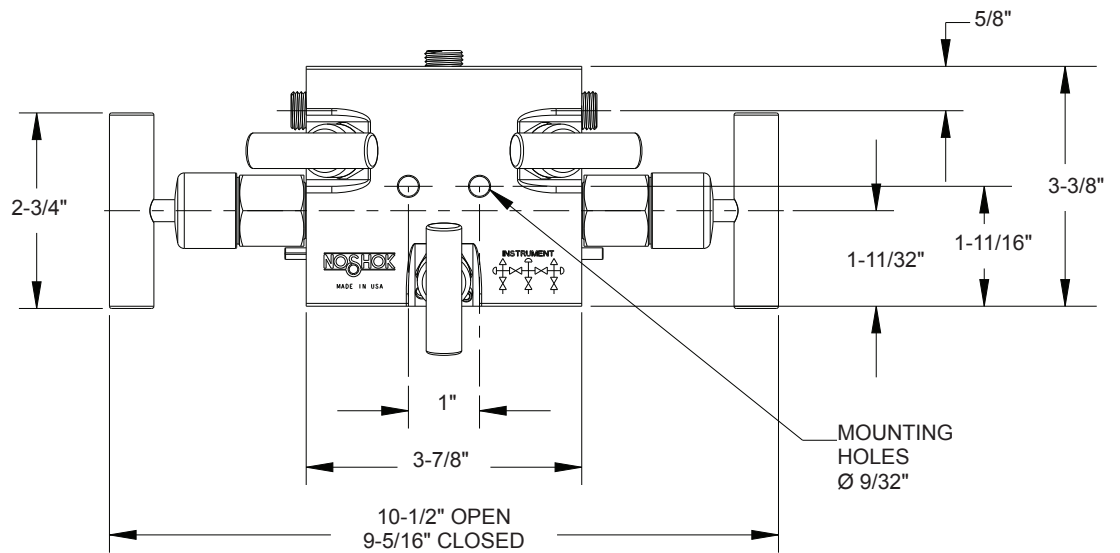


# Dimensions

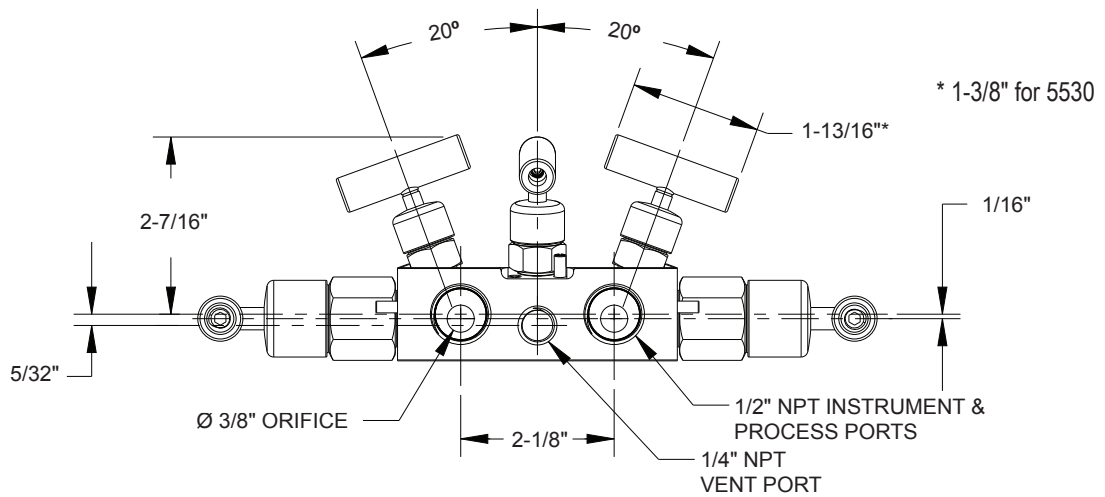
## Flare Pattern™ Female-Female



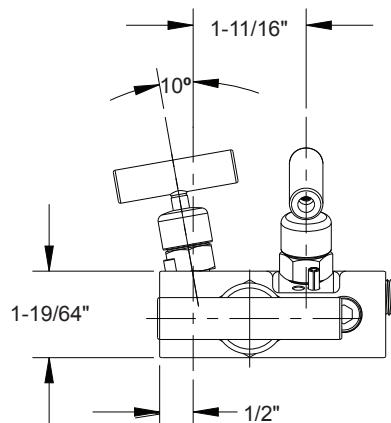
Top View

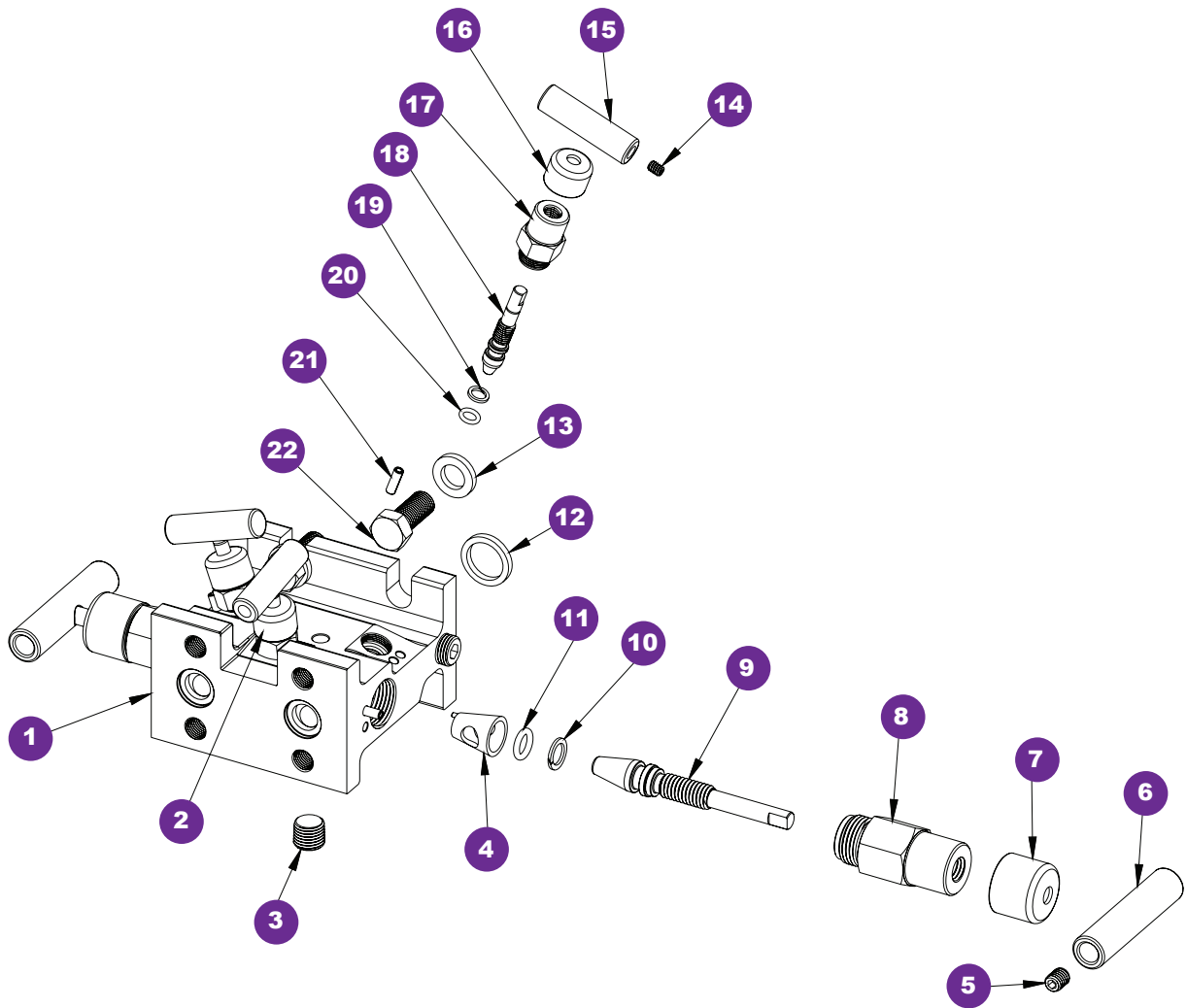


Front View



Side View





- |                             |                          |
|-----------------------------|--------------------------|
| 1 Flare Pattern™ valve body | 12 Gasket ring           |
| 2 Red dust cap              | 13 Washer                |
| 3 Plug                      | 14 Set screw             |
| 4 Delrin® seat              | 15 Mini valve “T” handle |
| 5 Set screw                 | 16 Green dust cap        |
| 6 Valve “T” handle          | 17 Mini valve bonnet     |
| 7 Blue dust cap             | 18 Soft tip stem         |
| 8 Valve bonnet              | 19 PTFE back-up ring     |
| 9 Non-rotating stem         | 20 FKM o-ring            |
| 10 PTFE back-up ring        | 21 Slotted spring pin    |
| 11 FKM o-ring               | 22 Head bolt             |